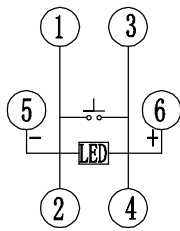
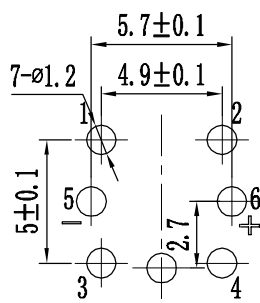


PRINCIPLE DIAGRAM

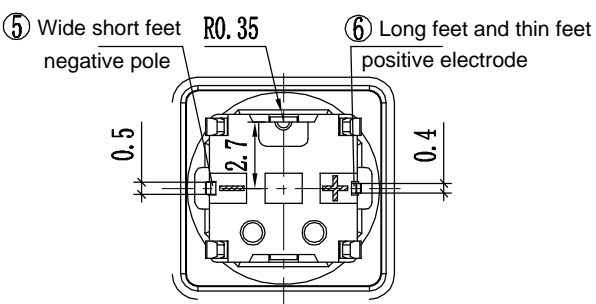
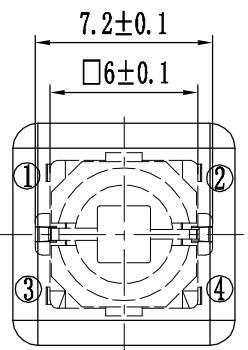
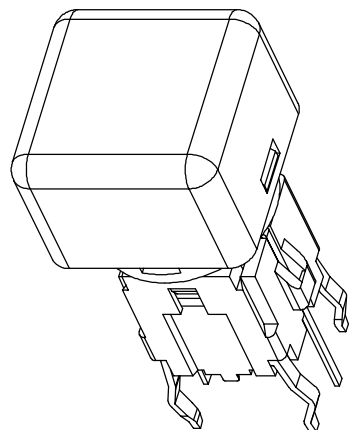


Element face bitmap



Main Specifications:
 Climate Grade: -25 ~75
 Rated Values: 30V DC,0.3A
 Contact Resistance: 0.05
 Dielectric Strength: 250V AC
 Insulation Resistance: 100M
 Operating Force: 160gf ± 50gf
 Life: 10W times
 Salt mist Test: 12 ± 1 hours

Led Color	Part No
Red	TPDD004AR
Blue	TPDD004ABL
Yellow	TPDD004AY
Green	TPDD004AG



ITEM	PAPT NAME	MATERIAL	QTY	Coating/color
7	Foreign cap	PC	1	Transparent white
6	Inner square cap	PC	1	Transparent white
5	LED	PET	1	transparent
4	Button	PA66	1	Black
3	Shrapnel	SUS	1	Ag
2	Pedestal	PA66	1	Black
1	Clasp	H62	1	Ag

REV.	DATE	REVISION DESCRIPTION	ISSUE
A4			
A3			
A2			
A1			

台普
ROCPU

COMMON TOLERANCE:

x.xx	± 0.10
x.x	± 0.15
x	± 0.25
ANGULAR	—

UNIT	MM	PROJECTED	PRODUCT NAME:
DRAWN BY	FUYUAN	CHECKED BY	TPDD004AX
DATE	2017	APPROVAL BY	MODEL NO:
			Https : www.rocpu.com

ROC PU TECHNOLOGY CO.,LTD

Copies are issued in strict confidence and shall not be reproduced or copied, or used as the basic of manufacture or sale of apparatus without permission